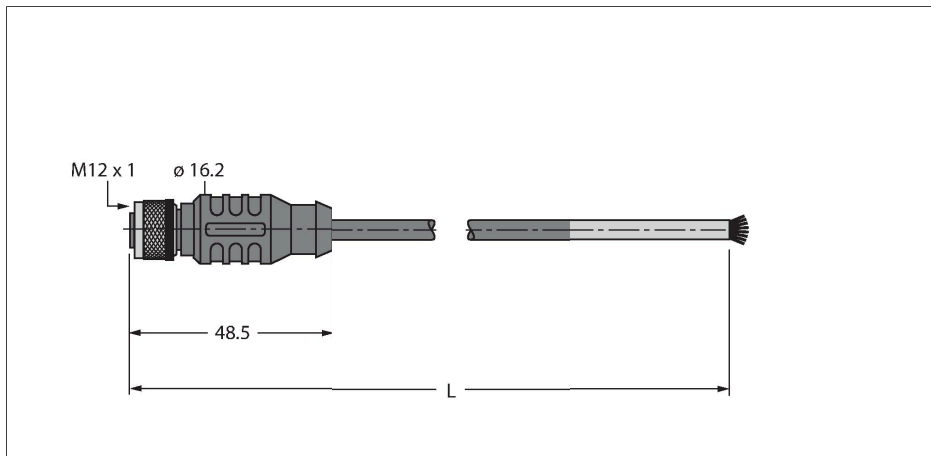


RKS 841-5M

Industrial Ethernet Cable – Connection Cable



Features

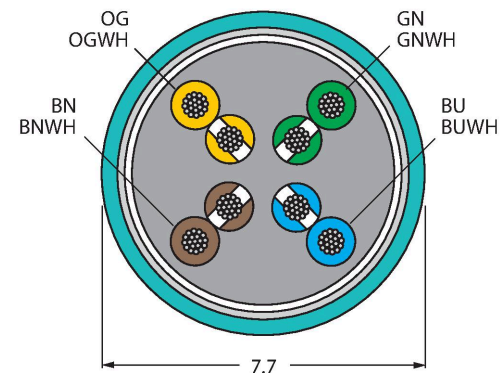


- Ethernet cable: 8-pin, AWG 24, shielded
- Jacket material: TPE, color: green
- Jacket diameter: 7.7 mm
- Suitable for drag chain use
- UL approval
- End open
- M12 female, straight, 8-pin
- Cable length: 5.0 m

Technical data

| | |
|--|--|
| Type | RKS 841-5M |
| ID | U-10636 |
| Connector A | Female, M12 × 1, Straight, A-coded |
| Number of pins | 8 |
| Contacts | Metal, CuZn, Gold-plated |
| Contact carriers | Plastic, TPU, Black |
| Connector body | Plastic, TPU, Black |
| Coupling nut/screw | Brass, CuZn, Nickel-plated |
| Seal | Plastic, FPM/FKM |
| Tightening torque (range) | 0.8 ... 1 Nm (observe max. torque of mating connector!) |
| Mechanical lifespan | > 100 Mating cycles |
| Pollution degree | 3 |
| Protection class | IP67, IP69K, Only in screwed condition |
| Cable | |
| Network protocol | Ethernet, 841 |
| Cable diameter | Ø 7.7 mm |
| Cable length | 5 m |
| Cable jacket | TPE, Green |
| Shielding | yes |
| Core insulation | PE |
| Core cross-section | 8 x 0.21 mm ² |
| Core colors | WH/BU, WH/BN, BN, OG, WH/GN, WH/OG, BU, GN |
| Electrical properties at +20 °C | |
| Rated voltage | 60 V |
| Current | 2 A |

Cable Cross-Section



Contact assignment



Technical data

| | |
|---|--|
| DC resistance (loop) | 94 Ω /km |
| Nom. impedance | 100 Ω (1 MHz) |
| Nom. capacitance | 46 pF/m |
| Mechanical and chemical properties | |
| Bending radius (flexible use) | $\geq 10 \times \varnothing$ |
| Bending cycles | ≥ 1 million |
| Ambient temperature (fixed) | -40...+80 °C |
| Ambient temperature (mobile) | -40...+80 °C |
| Other Features | |
| Qualified for drag chain use | yes |
| UV resistance | yes |
| Oil-resistant | yes |
| Approvals | UL |
| Note | |
| | - We reserve the right to make technical modifications without prior notice. |