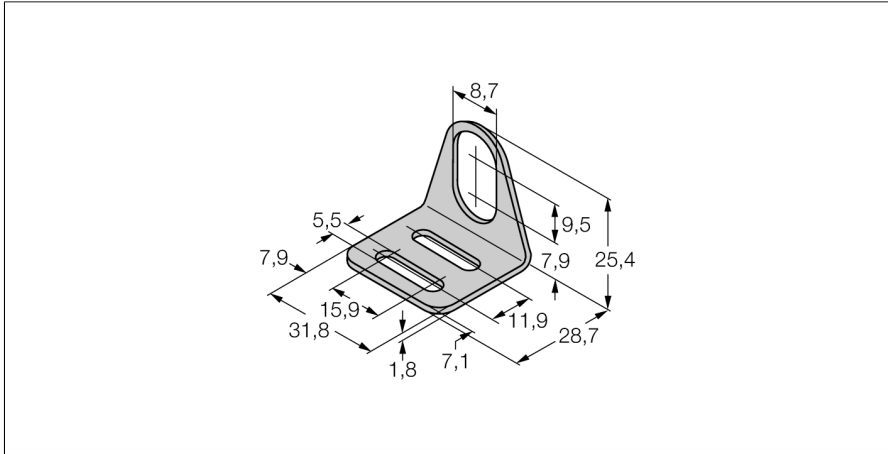


# Accessories

## Mounting bracket

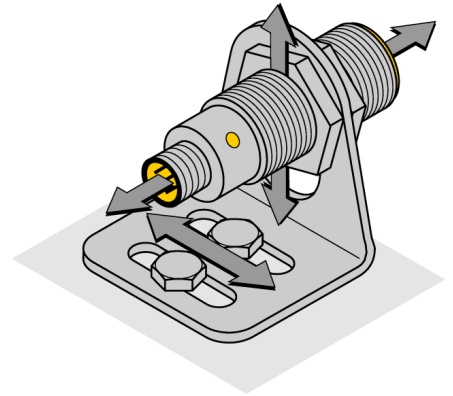
### MW-08



- Mounting bracket for M8 x1 threaded barrel sensors
- Stainless steel A2 1.4301 (AISI 304)

**General description**

The mounting bracket for the sensor in the threaded barrel M8 x1 provides high flexibility for mounting. The position of the sensor can easily be re-adjusted in all directions and is thus very user friendly.



Type	MW-08
ID	6945008
Design	Accessories for threaded barrel, M8
Dimensions	28.7 x 31.8 x 25.4 mm
Housing material	Metal, 1.4301 (AISI 304)