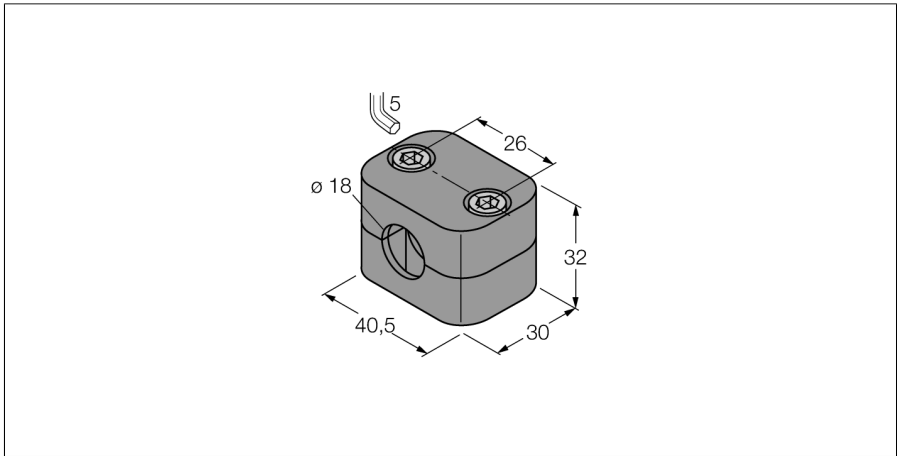


# Mounting Accessories

## Mounting Clamp

### BSS-18

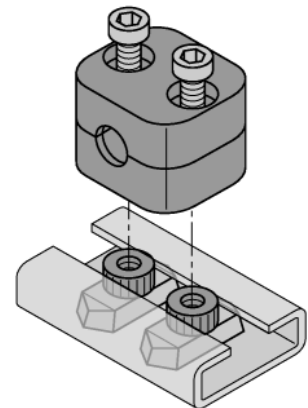
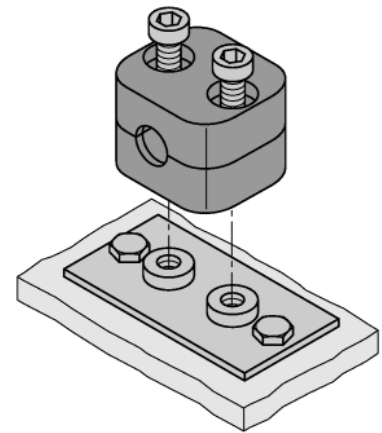


- Mounting accessories for M18 x1 threaded barrel sensors
- Plastics, polypropylene

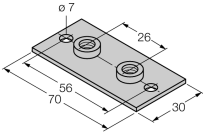
#### General description

The portfolio consists of two half-shells and two Allen screws each. Optionally, welding plates or DIN rail nuts can be used (to be ordered separately).

Type	BSS-18
ID	6901320
Design	Accessories for threaded barrel, M18
Dimensions	30 x 40.5 x 32 mm
Housing material	Plastic, PP, Green
Max. tightening torque of housing nut	1 Nm
Included in delivery	2 x Allen screws, M6



## Accessories

Type code	Ident no.		Dimension drawing
BSS-SPV2	6901316	Weld-on plate for BSS mounting brackets	
BSS-TSM 2 pcs	6901323	DIN rail nut for BSS and BSM mounting clips, for mounting on DIN rails	