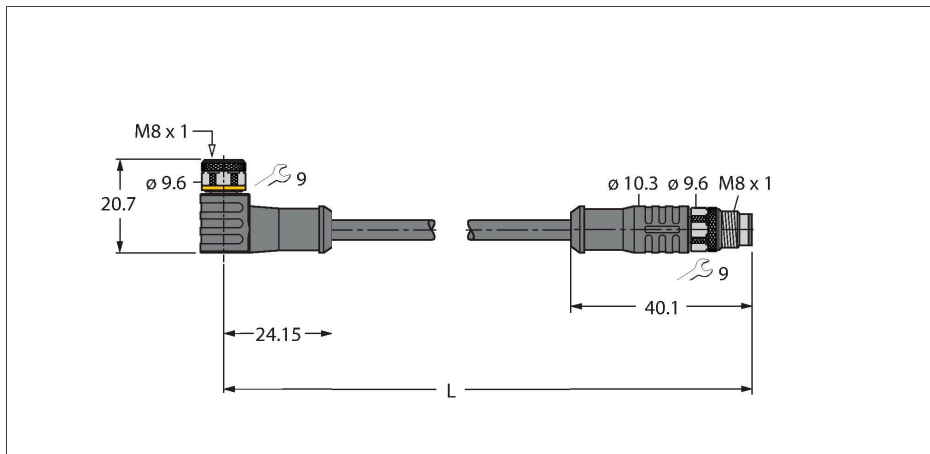


# PKWS3M-0.3-PSGS3M/TEL

## Actuator and Sensor Cable, PVC – Extension Cable

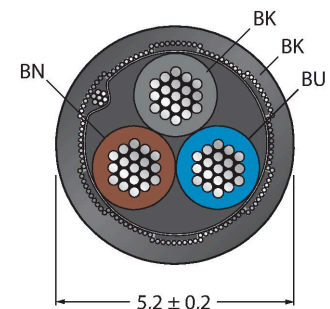


### Features

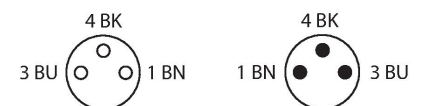


- Female M8, angled, 3-pin
- Shield on coupling nut/screw
- Male M8, straight, 3-pin
- Jacket material: PVC, shielded
- Jacket color: black
- Resistant to chemicals and oils
- Flame retardant
- Resistant to acids and alkaline solutions
- Resistant to microbes and hydrolysis
- LABS free
- Protection class: IP67, IP69K
- Cable length: 0.3 m

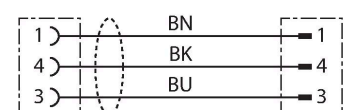
### Cable Cross-Section



### Contact assignment



### Circuit Diagram



### Technical data

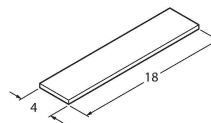
|                              |  |
|------------------------------|--|
| Type                         | PKWS3M-0.3-PSGS3M/TEL  |
| ID                           | 6627430  |
| Connector A                  | Female, M8 × 1, Angled                                       |
| Number of pins               | 3  |
| Contacts                     | Brass, CuZn, Gold-plated                                     |
| Contact carriers             | Plastic, TPU, Black  |
| Connector body               | Plastic, TPU, Black  |
| Coupling nut/screw           | Brass, CuZn, Nickel-plated                                   |
| Seal                         | Plastic, FPM/FKM   |
| Tightening torque (range)    | 0.5 ... 0.6 Nm<br>(observe max. torque of mating connector!) |
| Mechanical lifespan          | > 100 Mating cycles  |
| Pollution degree             | 3  |
| Protection class             | IP67, IP69K, Only in screwed condition                       |
| Connector B                  | Male, M8 × 1, Straight                                       |
| Number of Pins               | 3  |
| Contacts                     | Brass, CuZn, Gold-plated                                     |
| Contact carriers             | Plastic, TPU, Black  |
| Connector body               | Plastic, TPU, Black  |
| Coupling nut/retaining screw | Brass, CuZn, Nickel-plated                                   |
| Tightening torque            | 0.5 ... 0.6 Nm<br>(observe max. torque of mating connector!) |
| Mechanical life              | > 100 Mating cycles  |
| Pollution degree             | 3  |
| Protection class             | IP67, IP69K, Only when screwed together                      |

## Technical data

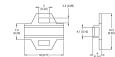
| Cable                                    |  |
|--|--|
| Cable diameter                           | Ø 5.2 mm ±0.20                         |
| Cable length                             | 0.3 m                                  |
| Cable jacket                             | PVC, Black                             |
| Shielding                                | Aluminum foil, tinned copper wire      |
| Core insulation                          | PVC                                    |
| Core cross-section                       | 3 x 0.34 mm <sup>2</sup>               |
| Arrangement of strands                   | 42 x 0.1 mm                            |
| Core colors                              | BN, BU, BK                             |
| Electrical properties at +20 °C          |  |
| Rated voltage                            | 50 V <sub>AC</sub> /60 V <sub>DC</sub> |
| Test voltage                             | 2000 V                                 |
| Current                                  | 4 A                                    |
| Insulation resistance                    | > 30.5 MΩ/km                           |
| forward resistance                       | max. 57 Ω/km                           |
| Mechanical and chemical properties       |  |
| Bending radius (stationary installation) | ≥ 5 x Ø                                |
| Bending radius (flexible use)            | ≥ 10 x Ø                               |
| Ambient temperature (fixed)              | -40...+105 °C                          |
| Ambient temperature (mobile)             | 0...+80 °C                             |
| Approvals                                | cULus                                  |

## Accessories

|   |                |   |                |
|---|----------------|---|----------------|
| <b>TORQUE-WRENCH-SET-AS</b>   | <b>6936170</b> | <b>BLANK-LABEL-FOR-CORDSETS-TEL-TXL</b>   | <b>6936206</b> |
| Torque wrench set; handles with adjustable torque 0.4-1.0 Nm, torque wrench for M8 (SW9), fork wrench for M12 (SW 14) |                | Label for TEL and TXL cables, length: 18 mm, height: 4 mm, material: polycarbonate (PC), color: white, halogen-free and flame-retardant |                |



## Accessories

| Dimension drawing   | Type                  | ID        |  |
|---|-----------------------|-----------|--|
|  | LABEL-HOLDER-FLEX-PVC | 100048170 | PVC label holder for identification of extension cables (TEL/TXL product series); for cable diameters: min. 5 mm; dimensions 4 x 18 mm; delivery unit: 50 pcs. per package |