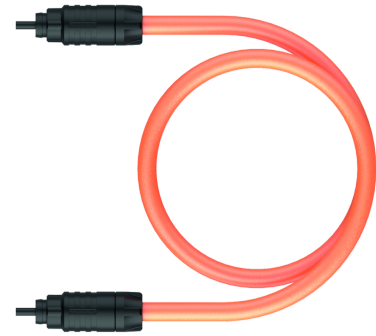
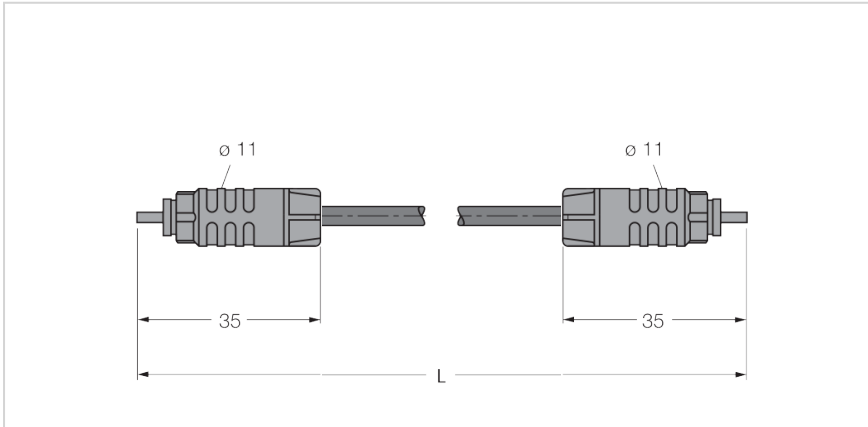


SFOL-0.5M

IP-Link Optical Fiber PUR Cable Jacket



| | |
|------------|------------------|
| Typ | SFOL-0.5M |
| Ident-No. | 6603383 |

Technical data

| | |
|------------------------------|----------------------------|
| Mechanical data | |
| Bending cycles | ≥2 Mio. |
| Bending radius | Ø55 mm |
| Connector A | |
| Protection class | Only in screwed condition |
| Connector B | |
| Protection class | Only when screwed together |
| Cable | |
| Cable diameter | 5,5 mm |
| Cable length | 0,5 m |
| Cable jacket | PUR, Orange |
| Other properties | |
| Qualified for drag chain use | yes |
| Halogen-free | yes |
| Oil-resistant | yes |
| Comments | |
| Packaging unit | 1 |

Features

- POF optical fiber for IP-Link
- Fiber core PMMA 980 µm
- Fiber insulation PE 2.2 mm
- PUR jacket, 5.5 mm
- Muting (650 nm) < 190 dB/km
- Muting (660 nm) < 290 dB/km
- Numeric aperture 0.5
- Qualified for drag chain use
- Flame-retardant
- Halogen-free acc. to IEC60754
- Excellent resistance to oil, grease, acids and alkaline solutions
- Cable length: 0.5 m

Functional principle

The photoelectric sensor for IP-Link is a premoulded polymer optical fiber (POF) for the modular fieldbus I/O system piconet. The possibilities for industrial application range from static installations in cable ducts, pipes and racks up to dynamic installations such as dragchains.

The preassembled IP-Link fiber-optic cable together with the IP-Link socket of the piconet coupling and extension modules are a qualified IP67, shock and vibration tested combination.