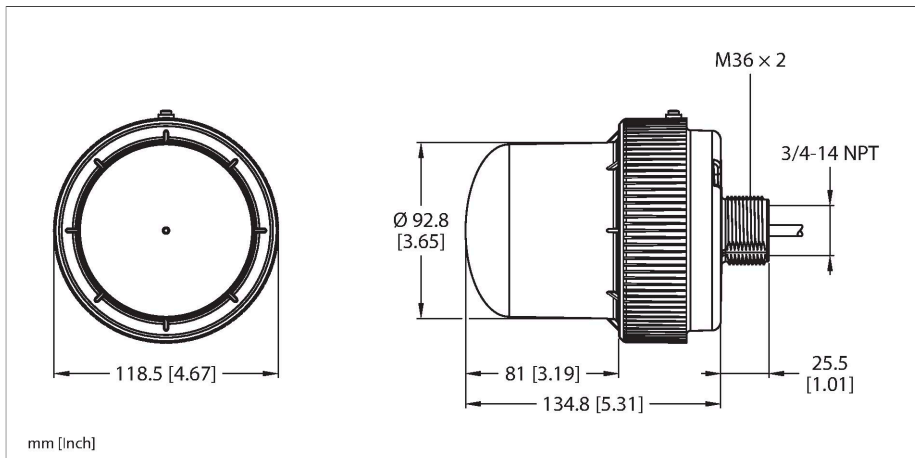


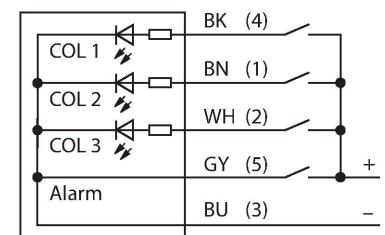
# K100PLZRGB7 LED Signal Light



## Features

- All-round LED display
- Mechanical screw-in thread M36 × 2.0
- Protection class IP66
- Up to seven colors can be displayed in accordance with the logic table (COL 1, COL 2, COL 3)
- Can be configured using Pro Editor, can display up to 14 colors, various lighting animations, configurable I/O-block compatibility
- Cable, 2 m, 5-pin

## Wiring diagram



## Functional principle

These indicator lights have RGB LEDs. Four input signals can be used to control one of seven predefined colors when using the standard settings, and to activate the optional beeper. The logic table shows which input needs to be connected. With the Pro Editor software, these lights can be assigned user-defined colors in the advanced settings and the functionality of the beeper can be adjusted. The major advantage of these LEDs is the color fidelity and luminance. The wiring diagram shows a PNP pin assignment.

## Technical data

Type	K100PLZRGB7
ID	3813076
<b>Signal and display data</b>	
Purpose	LED indicator light
Light type	RGB
Aperture angle degree	360 °
LED service life (L70)	42000 h
Dimmable	No
Features of color 1	Red, 36 lm
Features of color 2	Green, 73 lm
Features of color 3	Blue, 14 lm
Features of color 4	Yellow, 91 lm
Features of color 5	Magenta, 47 lm
Features of color 6	Turquoise, 83 lm
Features of color 7	White, 112 lm
Acoustic signal	Key adjustable, 101 dB
<b>Electrical data</b>	
Operating voltage $U_b$	100...240 VAC
AC rated operational current	≤ 100 mA
<b>Mechanical data</b>	
Cascadable	No
Design	Dome
Dimensions	Ø 118.5 x 160.3 mm
Housing material	Plastic, PC
Electrical connection	Cable
with motion switch	no
Ambient temperature	-40...+60 °C

## Technical data

Storage temperature	-40...+70 °C
Relative humidity	90 %
Protection class	IP66
<b>Tests/approvals</b>	
Approvals	CE, UL listed

## Accessories

LMB36RA	3813539	SA-M36E12	3813537
SA-M36SOP	3813538		

## Accessories

Dimension drawing	Type	ID
	MQAC2-530	3032718
	MQAC2-515	3032715
	MQAC2-506	3032713

## Accessories

Dimension drawing	Type	ID	
	MQDC-506-USB	3803770	USB serial converter, for parameterizing PRO indicator lights or sensors via PC, female connector, M12 × 1, 5-pin to plug, USB type A, length 0.7 m, can be extended to a maximum of 30 m, supplies the connected device with 20 V, supports Windows 7 (driver required) and Windows 10

