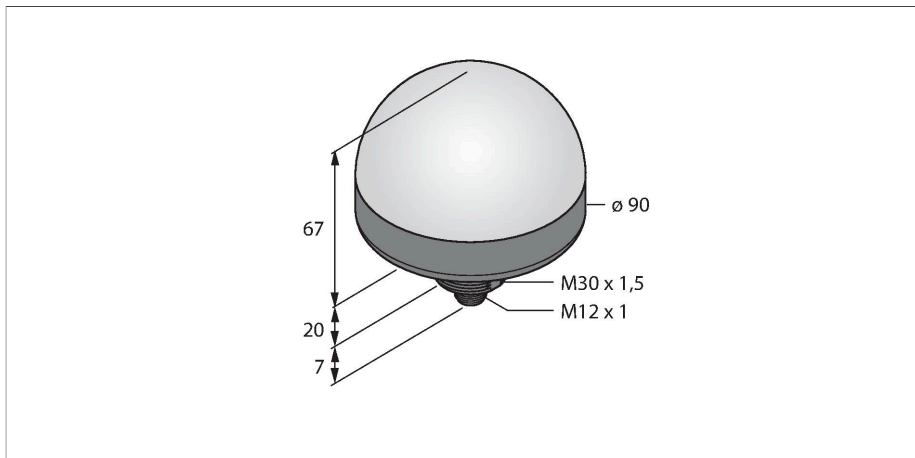


# K90TLGYRPQ

## LED Signal Light – Beacon



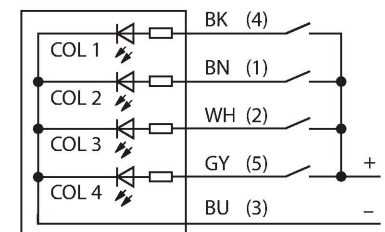
### Technical data

Type	K90TLGYRPQ
ID	3092834
<b>Signal and display data</b>	
Purpose	LED indicator light
Function	Spotlight
Light type	Green Yellow Red
LED service life (L70)	50000 h
Dimmable	No
Features of color 1	Green, Permanently on, 150 lm
Features of color 2	Yellow, 35 lm
Features of color 3	Red, 65 lm
<b>Electrical data</b>	
Operating voltage $U_B$	12...30 VDC
Max. current consumption per color	475 mA
Input power	5.7 W
Input type	PNP
Response time typical	< 150 ms
<b>Mechanical data</b>	
Cascadable	No
Design	Dome, K90L
Dimensions	Ø 90 x 87 mm
Housing material	Plastic, PC
Window material	Polycarbonate, diffuse
Electrical connection	Connector, M12 × 1, PVC
Number of cores	5

### Features

- All-round LED display
- Protection class IP67
- Mechanical screw-in thread M30 x 1.5
- M12 x 1 male, 5-pin
- Colors: Green (COL 1), Yellow (COL 2), Red (COL 3)
- Alternates between colors when multiple inputs are active
- Operating voltage: 12...30 VDC
- Individually controllable
- Inputs: PNP

### Wiring diagram



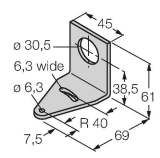
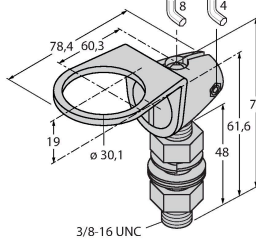
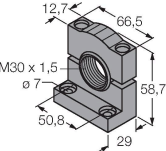
### Functional principle

The LED display is suitable for industrial use thanks to its rugged design in protection class IP67. The LED display is on during the input signal period. Only a color at any time lights up. The simultaneous control of several colors provides for a cyclic change of colors.

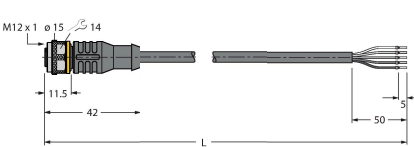
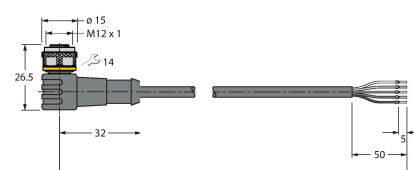
### Technical data

Ambient temperature	-40...+50 °C
Protection class	IP67
<b>Tests/approvals</b>	
Approvals	CE, UL listed

### Accessories

<p><b>SMB30A</b></p> 	<p><b>3032723</b></p> <p>Mounting bracket, rectangular, stainless steel, for sensors with 30mm thread</p>	<p><b>SMB30FA</b></p> 	<p><b>3074005</b></p> <p>Montagewinkel; Werkstoff VA 1.4401</p>
<p><b>SMB30SC</b></p> 	<p><b>3052521</b></p> <p>Mounting bracket, PBT black, for sensors with 30 mm thread, rotatable</p>		

### Accessories

Dimension drawing	Type	ID	
	<p>RKC4.5T-2/TEL</p>	<p>6625016</p>	<p>Connection cable, M12 female connector, straight, 5-pin, cable length: 2 m, jacket material: PVC, black; cULus approval</p>
	<p>WKC4.5T-2/TEL</p>	<p>6625028</p>	<p>Connection cable, M12 female connector, angled, 5-pin, cable length: 2 m, jacket material: PVC, black; cULus approval</p>