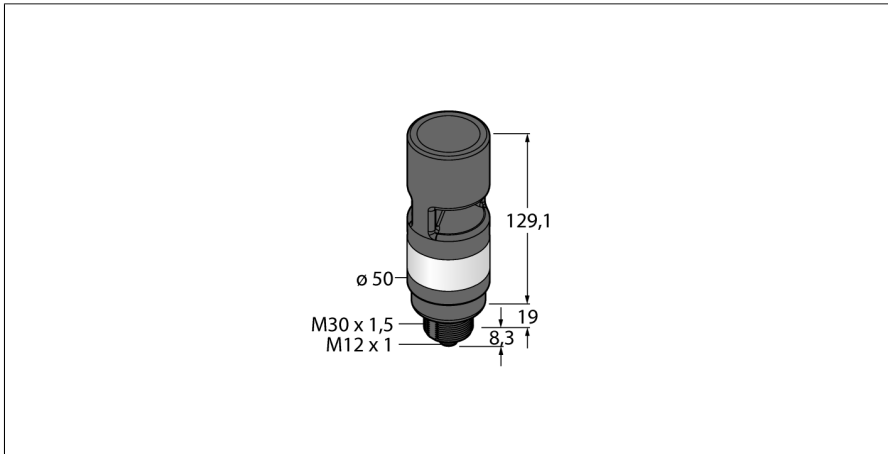


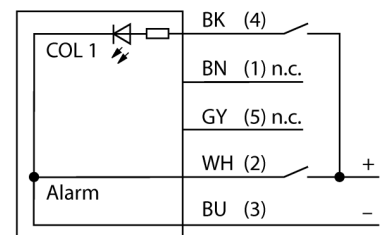
LED Signal Light Tower Light TL50HYAOS3Q



Type	TL50HYAOS3Q
ID	3088546
Signal and display data	
Purpose	LED indicator light
Function	Tower light
Light type	Yellow
Dimmable	No
Features of color 1	Yellow, Permanently on, 23 lm
Acoustic signal	Pulsed, 99dB
Electrical data	
Operating voltage U_b	18...30 VDC
DC rated operating current I_a	≤ 100 mA
Operating voltage U_b	21...27VAC
Max. current consumption per color	100 mA
Max. current consumption of beeper	45 mA
Input type	Bipolar (PNP/NPN)
Response time typical	< 10 ms
Mechanical data	
Cascadable	No
Design	Smooth barrel, TL50
Dimensions	Ø 50 x 156.6 mm
Housing material	Plastic, ABS, Black
Window material	Polycarbonate, diffuse
Electrical connection	Connector, M12 × 1, PVC
Number of cores	4
Ambient temperature	-20...+50 °C
Relative humidity	0...95%
Protection class	IP67
Tests/approvals	
Approvals	CE, UL listed

- Plastic housing, black
- EMI and RFI immune
- Protection class IP67
- M12 x 1 male
- Monochrome: Yellow (COL 1)
- Operating voltage: 18...30 VDC or 24 VAC with 45 mA per LED color
- Inputs: PNP/NPN
- Beeper: Omnidirectional, sealed, pulsed tone max. 99 dB

Wiring Diagram



Functional principle

Monochrome multifunction acoustic warning
Rugged and well-priced LED tower, easy to install
Illuminated segments for clear operator guidance and display of system status
Displays up to 5 colors
Compact devices, no controller required
No mounting
The wiring diagram shows a PNP pin assignment