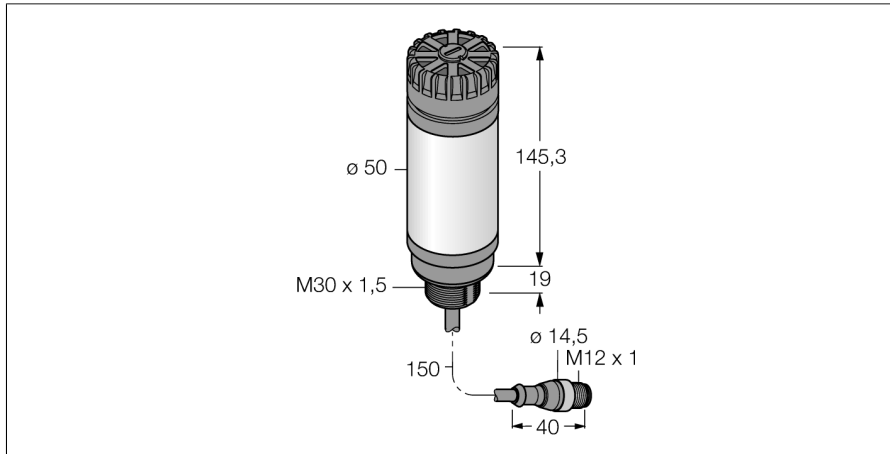
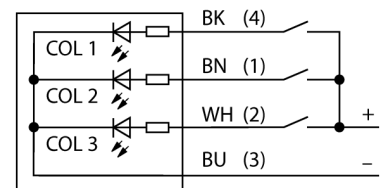


# LED Signal Light Tower Light CL50BXXAPQP



- With beeper
- Individually controllable
- M30 × 1.5 mechanical screw-in thread
- Monochrome: Blue (COL 1)
- Cable with male end M12 x 1
- Operating voltage 10...30 VDC

### Wiring Diagram



Type	CL50BXXAPQP
ID	3085344
<b>Signal and display data</b>	
Purpose	LED indicator light
Function	Tower light
Light type	Blue
Dimmable	No
Features of color 1	Blue, Permanently on, 28 lm
Acoustic signal	Continuous tone, 92dB
<b>Electrical data</b>	
Operating voltage $U_s$	18...30 VDC
Max. current consumption per color	100 mA
Max. current consumption of beeper	25 mA
Input type	PNP
Response time typical	< 10 ms
<b>Mechanical data</b>	
Cascadable	No
Design	Smooth barrel, CL50
Dimensions	Ø 50 x 145.3 mm
Housing material	Plastic, ABS/Polycarbonate, Black
Window material	Polycarbonate, diffuse
Electrical connection	Cable with connector, M12 × 1, 0.15 m, PVC
Number of cores	5
Ambient temperature	-20...+50 °C
Relative humidity	0...95%
Protection class	IP50
<b>Tests/approvals</b>	
Approvals	CE, UL listed

### General description

Multicolor multifunction acoustic signaller  
Rugged and well-priced LED tower, easy to install  
Illuminated segments for clear operator guidance and display of system status.  
Display of up to 3 colors.  
Compact devices, no controller required  
No mounting  
The wiring diagram shows the PNP input configuration. An instruction leaflet with detailed information about the connection is included with the devices.