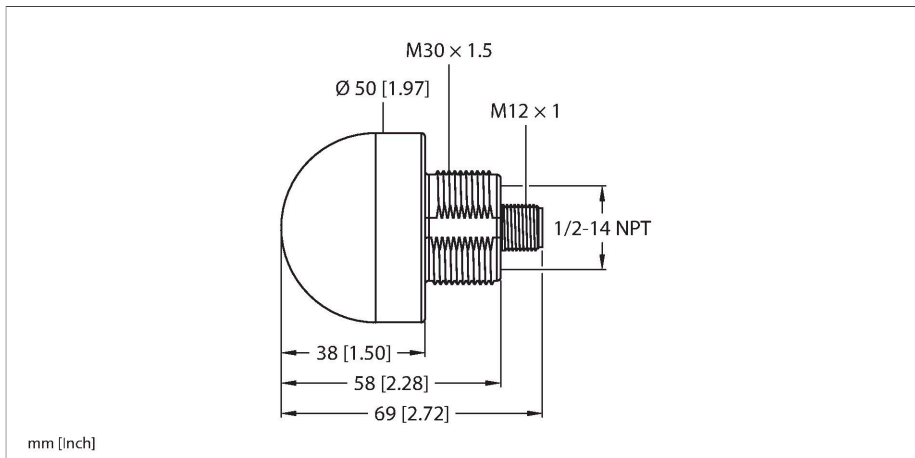


# K50LYRW6PQ

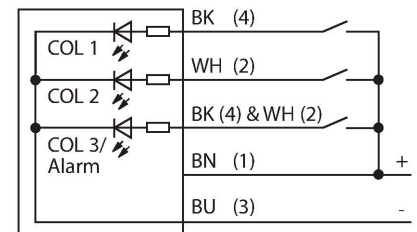
## LED Signal Light – Beacon



### Features

- All-round LED display
- Individually controllable
- Mechanical screw-in thread M30 x 1.5
- Protection classes IP67/IP69K
- Colors: Yellow (COL 1) / Red (COL 2) / White (COL 3)
- Male M12x1
- Operating voltage 18...30 VDC

### Wiring diagram



### Technical data

Type	K50LYRW6PQ
ID	3080994
<b>Signal and display data</b>	
Purpose	LED indicator light
Function	Spotlight
Light type	Yellow Red White
LED service life (L70)	50000 h
Dimmable	No
Features of color 1	Yellow, Permanently on, 56 lm
Features of color 2	Red, 17 lm
Features of color 3	White, 45 lm
Special features	I/O module-compatible Wash down
<b>Electrical data</b>	
Operating voltage $U_b$	18...30 VDC
DC rated operating current $I_o$	≤ 40 mA
Max. current consumption per color	50 mA
Output function	NO contact, Potential-free
Input type	PNP
Response time typical	< 250 ms
<b>Mechanical data</b>	
Cascadable	No
Design	Dome, K50L
Dimensions	Ø 50 x 69 mm
Housing material	Plastic, PC, Black
Window material	Polycarbonate, diffuse

## Technical data

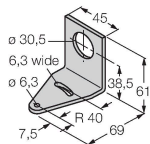
Electrical connection	Connector, M12 × 1, PVC
Number of cores	5
Ambient temperature	-20...+50 °C
Relative humidity	0...95 %
Protection class	IP67 IP69
<b>Tests/approvals</b>	
MTTF	249 years acc. to SN 29500 (Ed. 99) 40 °C
Approvals	CE, UL listed

## Accessories

SMB30A

3032723

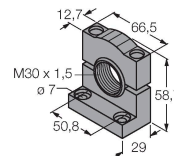
Mounting bracket, rectangular, stainless steel, for sensors with 30mm thread



SMB30SC

3052521

Mounting bracket, PBT black, for sensors with 30 mm thread, rotatable



## Accessories

Dimension drawing	Type	ID	
	RKC4.4T-2/TEL	6625013	Connection cable, M12 female connector, straight, 4-pin, cable length: 2 m, jacket material: PVC, black; cULus approval
	WKC4.4T-2/TEL	6625025	Connection cable, M12 female connector, angled, 4-pin, cable length: 2 m, jacket material: PVC, black; cULus approval