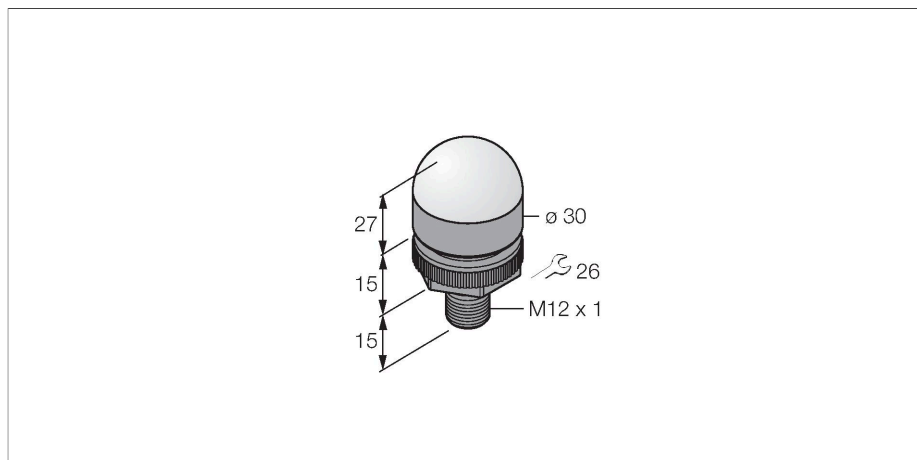


# K30LRGX8PQ8

## LED Signal Light – Beacon



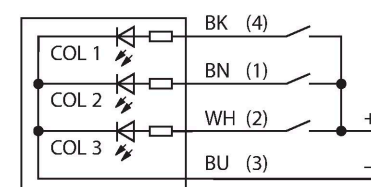
### Technical data

Type	K30LRGX8PQ8
ID	3078790
<b>Signal and display data</b>	
Purpose	LED indicator light
Function	Spotlight
Light type	Red Green
Dimmable	No
Features of color 1	Red, Permanently on
Features of color 2	Green
Special features	Wash down
<b>Electrical data</b>	
Operating voltage $U_B$	10...30 VDC
DC rated operating current $I_o$	$\leq 25$ mA
Max. current consumption per color	25 mA
Input type	PNP
Response time typical	< 1 ms
<b>Mechanical data</b>	
Cascadable	No
Design	Dome, K30L
Dimensions	$\varnothing 30 \times 57$ mm
Housing material	Plastic, PC, Black
Window material	Polycarbonate, diffuse
Electrical connection	Connector, M12 $\times$ 1, PVC
Number of cores	8
Ambient temperature	-40...+50 °C
Relative humidity	0...90 %

### Features

- LED all-round visible
- Individually controllable
- For direct connection to EZ-Screen
- M12 x 1 male, 8-pin
- Mechanical screw-in thread M22x1.5
- Protection class IP67
- Multicolor: Red (COL 1) / Green (COL 2)
- Male M12x1
- Operating voltage 10...30 VDC

### Wiring diagram



## Technical data

Protection class	IP67 IP69
------------------	--------------

### Tests/approvals

MTTF	626 years acc. to SN 29500 (Ed. 99) 40 °C
------	---

Approvals	CE
-----------	----

## Accessories

**SMB22A****3079414**

Mounting bracket, stainless steel, for K30L series

