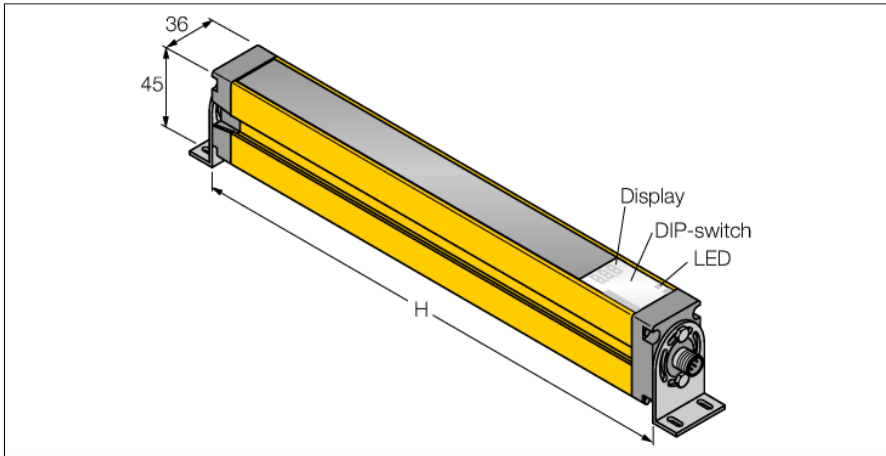


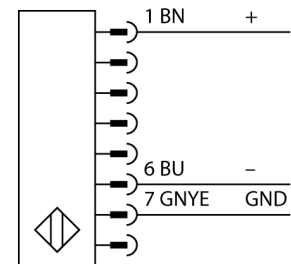
# Safety Light Curtain Emitter SLSE14-150P8



Type	SLSE14-150P8
ID	3073856
<b>Optical data</b>	
Function	Light screen
Light type	IR
Wavelength	950 nm
Optical resolution	14 mm
Range	100...6000 mm
Scan field	150 mm
Number of beams	20
With muting function	No
Scan Code	Adjustable
<b>Electrical data</b>	
Operating voltage $U_s$	20...28 VDC
Residual ripple	< 10 % $U_s$
DC rated operating current $I_s$	≤ 275 mA
Max. current safe output	500 mA
Short-circuit protection	yes
Reverse polarity protection	yes
Insulation class	III
Response time typical	< 9 ms
With restart interlock	yes
Blanking function	yes
<b>Mechanical data</b>	
Design	Rectangular, EZ-Screen
Housing material	Metal, AL, Yellow polyester
Lens	plastic, Acrylic
Cascadable	No
Electrical connection	Cable with connector, M12 × 1
Number of cores	8
Ambient temperature	0...+50 °C
Protection class	IP65
Power-on indication	LED, Green

- M12 × 1 male connector, 8-pin
- Protection class IP65
- Adjustments via DIP switch
- Operating voltage 24 VDC ± 15 %
- Resolution 14 mm
- Scan field 150 mm
- All devices incl. two EZA-MBK-11 mounting brackets; devices with a length of 900 mm or more additionally incl. one EZA-MBK-12

## Wiring Diagram



## Functional principle

The high-resolution safety light curtain consists of an emitter and a receiver. As the system is optically synchronized, no wiring between the emitter and receiver is required. The safety switching outputs of the receiver are directly connected to a load relay and trigger an immediate stop of dangerous machine cycles. Due to the 2-channel monitoring of the switching device and the diverse redundancy of the design, which involves two processors controlling each other mutually, the requirements of personnel safety type 4 acc. to IEC 61496 are fulfilled.

Tests/approvals	
Vibration resistance	10-55 Hz at 0.35 mm
Shock test	10 g at 16 ms (6000 cycles)
Approvals	CE, cULus listed

## Accessories

Type code	Ident no.		Dimension drawing
EZA-MBK-11	3071470	Mounting bracket, steel, black-finished, for EZ-ARRAY and EZ-SCREEN standard and cascade 14 & 30 mm	
EZA-MBK-12	3071756	Mounting bracket, steel, black-finished, for EZ-ARRAY and EZ-SCREEN standard and cascade 14 & 30 mm	
EZA-MBK-20	3072587	Mounting bracket, steel, black-finished, for EZ-ARRAY and EZ-SCREEN standard 14 & 30 mm	