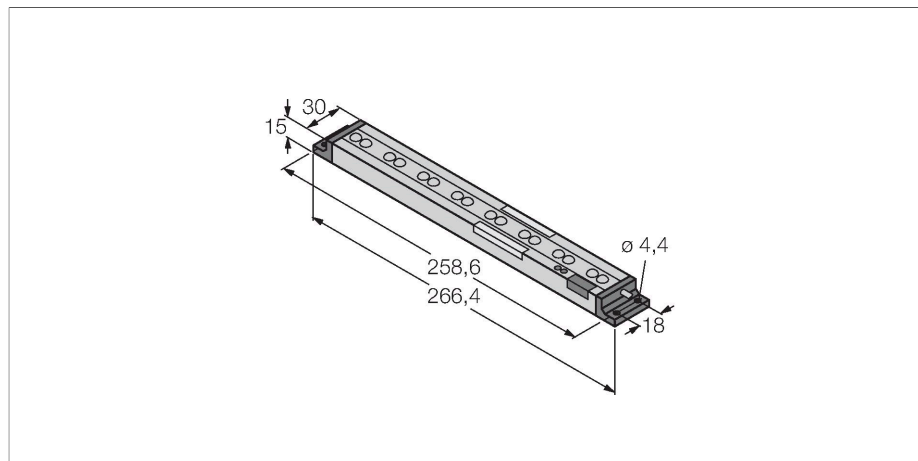


# PVD225

## Pick-to-Light – Placement Sensor

### Light Grid



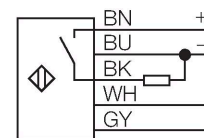
### Features

- 8-beam system, beam spacing 28.6 mm
- Scan field 240 mm
- Range max. 2 m with reflector and max. 400 mm in diffuse mode
- Protection class IP62
- Cable 2 m
- Job light: green
- Mispick: red
- Operating voltage 12...30 VDC
- Non-actuated current consumption: < 20 mA, < 70 mA with activated job light
- DIP switches for adjustment of PNP/NPN switching output, NO/NC output and work light
- SMBPVA1 mounting bracket kit included in delivery
- No reflector tape included

### Technical data

Type	PVD225
ID	3070990
<b>Signal and display data</b>	
Purpose	Pick-to-Light
Function	Retroreflective sensor or proximity switch
Max. range	400 mm
Light type	Red
Scan field	225 mm
Number of beams	8
Optical resolution	28.6 mm
Switch Function	Momentary
Features of color 1	Green, Permanently on, 12 lm
Features of color 2	Red, 2.5 lm
<b>Electrical data</b>	
Operating voltage $U_b$	12...30 VDC
DC rated operating current $I_o$	≤ 80 mA
Max. current consumption per color	88 mA
Output function	NO/NC, PNP/NPN
Input type	Bipolar (PNP/NPN)
Response time typical	< 400 ms
<b>Mechanical data</b>	
Design	Rectangular, PVD
Dimensions	266.4 x 30 x 15 mm
Housing material	Metal, AL, Black
Window material	Acrylic, clear

### Wiring diagram



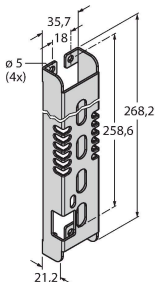
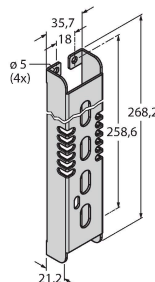
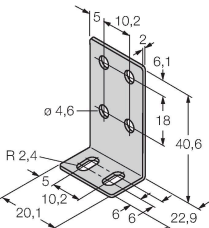
### Functional principle

The PVD sensor is a user-friendly one-piece light screen used for assembly, component picking and fault detection tasks. The compact emitter/receiver design of the PVD sensor operates in diffuse or retroreflective mode. The operating modes need not be configured. If a reflector is mounted directly opposite the sensor, the device will operate in retroreflective mode. Otherwise it will operate in diffuse mode. The automatic set-up routine makes manual adjustments redundant. If it is blocked, the sensor automatically adapts to the sensing conditions after 15 seconds. The sensing range is smaller if no reflector is installed.

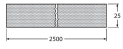
## Technical data

Electrical connection	Cable, 2 m, PVC
Number of cores	5
Ambient temperature	0...+50 °C
Relative humidity	0...90 %
Protection class	IP62
<b>Tests/approvals</b>	
Approvals	CE, cURus

## Accessories

<p><b>SMBPVD225A</b></p> 	<p><b>3071340</b></p> <p>Mounting bracket, for PVD225, cold-rolled steel, cut-out for DIP switch block</p>	<p><b>SMBPVD225AB</b></p> 	<p><b>3071341</b></p> <p>Mounting bracket, for PVD225, cold-rolled steel, no cut-out for DIP switch block</p>
<p><b>SMBPVA1</b></p> 	<p><b>3056884</b></p> <p>Mounting bracket, for PVA and PVD, stainless steel; set consisting of two brackets and screws</p>		

## Accessories

Dimension drawing	Type	ID	
	BRT-THG-1-100	3026619	Rectangular reflector band, 25 x 2500 mm, cut to size, reflection factor 0.7, ambient temperature -20 ... +60 °C, range with PVL light grid 1.5 m