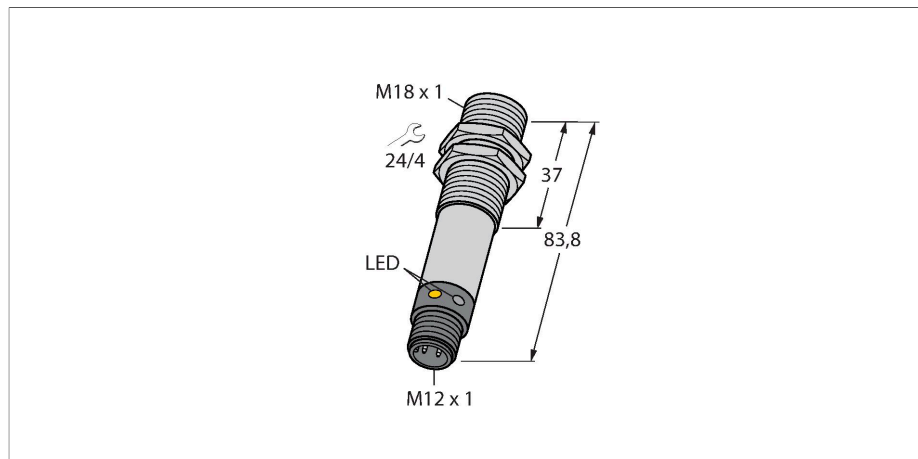


M18SN6FF25Q

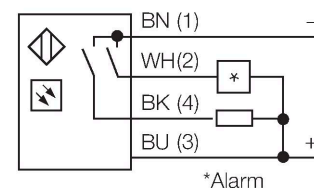
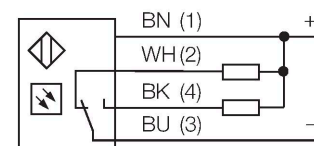
Photoelectric Sensor – Diffuse Mode Sensor with Fixed-Field Background Suppression



Features

- M12 × 1 male connector, 4-pin
- Protection classes IP67/IP69K
- Ambient temperature: -40 °C...+70 °C
- Metal housing
- Operating voltage: 10...30 VDC
- NPN switching output, changeover

Wiring diagram



Technical data

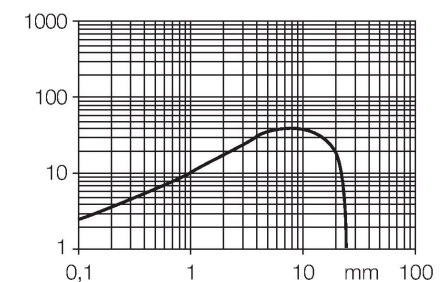
Type	M18SN6FF25Q
ID	3058432
Optical data	
Function	Proximity switch
Operating mode	Background suppression, non-adjustable
Light type	IR
Wavelength	880 nm
Range	0...25 mm
Electrical data	
Operating voltage	10...30 VDC
No-load current	≤ 25 mA
Short-circuit protection	yes / Cyclic
Reverse polarity protection	yes
Output function	Connection programmable, NPN
Switching frequency	≤ 160 Hz
Readiness delay	≤ 100 ms
Response time typical	< 3 ms
Overcurrent release	> 220 mA
Mechanical data	
Design	Tube, M18
Dimensions	Ø 18 x 83.8 mm
Housing material	Metal, Stainless steel
Lens	plastic, Acrylic
Electrical connection	Connector, M12 × 1, PVC
Number of cores	4
Ambient temperature	-40...+70 °C

Functional principle

The emitter and receiver are incorporated in a single housing. The light reflection of the target is detected and triggers the sensor to switch. Thus the switching distance largely depends on the reflectivity of the target.

Excess gain curve

Excess gain in relation to the distance



Technical data

Protection class	IP69
Special features	Chemical-resistant Encapsulated Wash down Resistant to chemicals
Power-on indication	LED, Green
Switching state	LED, Yellow
Error indication	LED, green, Flashing
Excess gain indication	LED
Alarm display	LED yellow Flashing
Tests/approvals	
MTTF	448 years acc. to SN 29500 (Ed. 99) 40 °C
Approvals	CE

Accessories

<p>SMB18A</p>	<p>3033200</p> <p>Mounting bracket, rectangular, stainless steel, for sensors with 18 mm thread</p>	<p>SMB18AFAM10</p>	<p>3012558</p> <p>Mounting bracket, material VA 1.4401, for M10 x 1.5 thread, thread length 18 mm</p>
<p>SMB3018SC</p>	<p>3053952</p> <p>Mounting bracket, PTB black, for sensors with 18 mm thread</p>	<p>SMBAMS18P</p>	<p>3073134</p> <p>Mounting bracket, stainless steel, for sensors with 18 mm thread</p>

Accessories

Dimension drawing	Type	ID	
	<p>RKC4.4T-2/TEL</p>	<p>6625013</p>	<p>Connection cable, female M12, straight, 4-pin, cable length: 2 m, sheath material: PVC, black; cULus approval; other cable lengths and qualities available, see www.turck.com</p>

Dimension drawing

Type

WKC4.4T-2/TEL

ID

6625025

Connection cable, female M12, angled,
4-pin, cable length: 2 m, sheath
material: PVC, black; cULus approval;
other cable lengths and qualities
available, see www.turck.com

