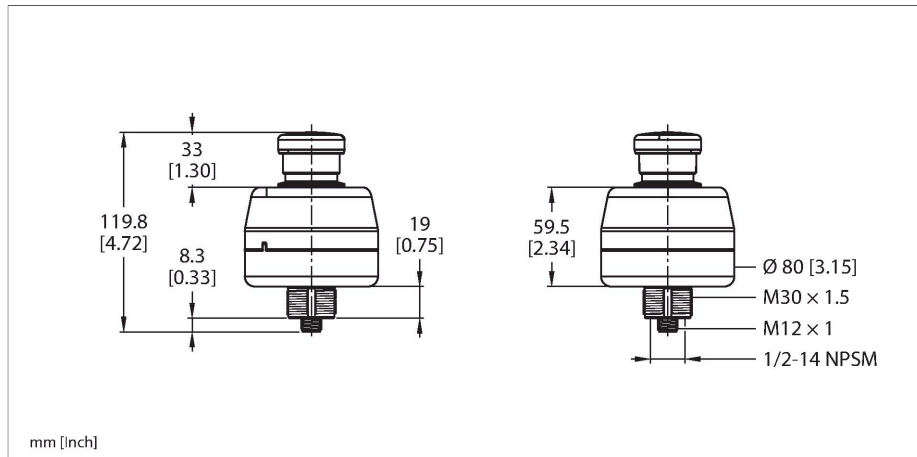


SSA-EB1PLYR-12ECQ8

Safety Technology – E-stop Button

Illuminated



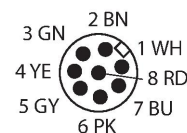
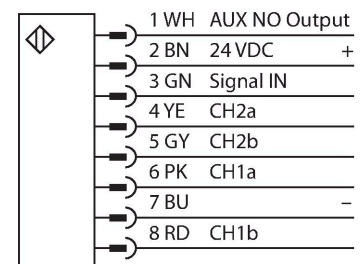
Technical data

Type	SSA-EB1PLYR-12ECQ8
ID	3025304
Function	E-stop button, lit
Light type	Red
Operating voltage	12...30 VDC
DC rated operational current	≤ 65 mA
Output function	2 x NC (normally closed), Potential-free
Contact rating	1.5A/250V AC-15, 1A/30V DC-13
Conventional thermal current	2 A
Impulse withstand voltage	2.5 kV
Insulation resistance	100 MΩ
Design	Rectangular
Dimensions	Ø 80 x 119.8 mm
Housing material	Plastic, PC
Mechanical lifespan	0,25 * 10 ⁶ Switching cycles
B10d value	0,1 * 10 ⁶ Switching cycles
Pollution degree	3
Cascadable	Yes
Electrical connection	Connector, M12 × 1
Ambient temperature	-25...+55 °C
Relative humidity	45...85 %
Protection class	IP65
Tests/approvals	
Vibration resistance	10 to 500 Hz, 0.35 mm amplitude, 50 g acceleration
Shock resistance	15 g (11 ms)

Features

- Protection class IP65
- Non-actuated lighting: yellow steady
- Lighting circuit externally interrupted: red steady
- Actuated lighting: red flashing
- 2 safety outputs (NC, potential-free)
- 1 auxiliary output (NO, PNP)
- M12 × 1 male connector, 8-pin

Wiring diagram



Functional principle

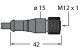
These electromechanical E-stop switches combine the functions of conventional switches with those of the EZ-LIGHTs. The color changes with the switching state. Local quitting of faults is possible at any time and a latch protects against unwanted quitting. The device is available as round or rectangular version. Both types are IP65 rated.

Technical data

Conventional types without light are also available as well as types for connection to the safety bus from Siemens or AB/ROCKWELL.

Approvals CE, cULus

Accessories

Dimension drawing	Type	ID	
	MQDC2S-806	3070975	Connection cable 1.83 m, PVC, female M12 x 1, 8-pin, black
	MQDC2S-806RA	3054616	Connection cable 1.83 m, PVC, female M12 x 1, angled, 8-pin, black