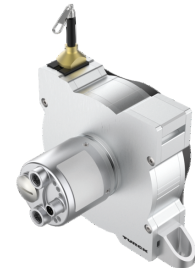
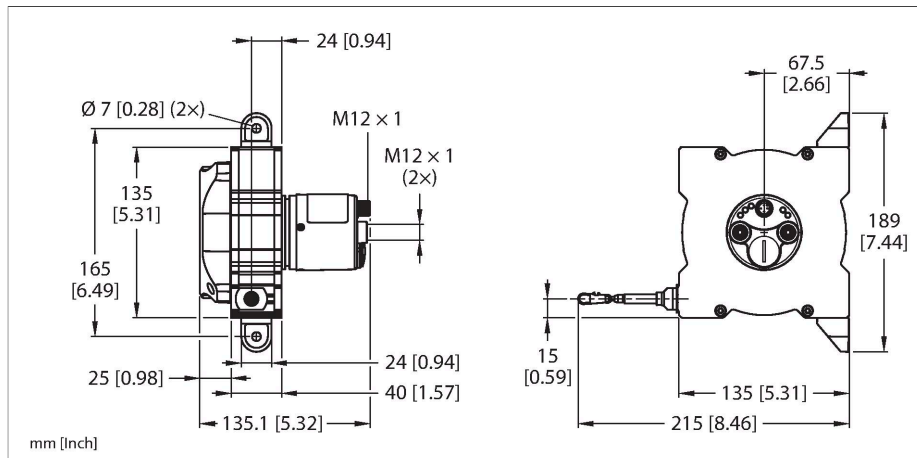


DWE-8000-135-105-9E43B-B3M12

Draw-Wire



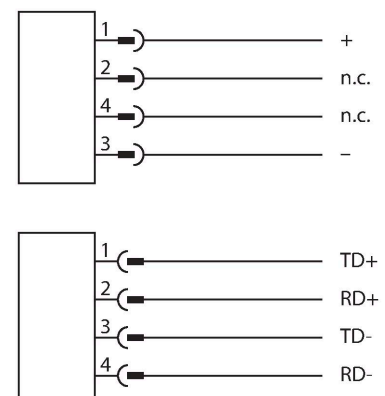
Technical data

| | |
|--|------------------------------|
| Type | DWE-8000-135-105-9E43B-B3M12 |
| ID | 100049447 |
| Measuring principle | Optical |
| General data | |
| Measuring range | 8000 mm |
| Linearity deviation | ≤ 0.05 % |
| Electrical data | |
| Operating voltage U_b | 10...30 VDC |
| No-load current | ≤ 250 mA |
| Wire break/reverse polarity protection | yes |
| Communication protocol | PROFINET |
| Mechanical data | |
| Design | Draw Wire |
| Housing material | Titanium anodized aluminium |
| Encoder housing material | aluminum |
| min. extension force | 7.2 N |
| max. extension force | 16 N |
| max. extension speed | 10 m/s |
| Pull acceleration max. | 140 m/s ² |
| wire material | Stainless steel |
| Electrical connection | Connector, 3 x M12 |
| Environmental conditions | |
| Ambient temperature | -20...+85 °C |
| Protection class | IP65 |
| MTTF | 19 years |

Features

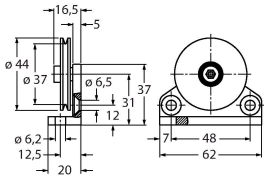
- Highly dynamic draw-wire sensor
- With permanently installed Profinet encoder REM-E-105T10C-9E43B-B3M12
- Measuring principle: optical
- Sensor protection class IP65
- -20...+85 °C
- 10...30 VDC
- PROFINET IO, RT and IRT up to 250 μs
- Encoder profile version 4.2
- Media Redundancy Protocol (MRP)
- Link Layer Discovery Protocol (LLDP)
- Simple Network Management Protocol (SNMP)
- Fast Startup (FSU)
- M12 × 3 connector, 4-pin

Wiring diagram



Accessories

| | | |
|-------|---------|---|
| RDR-1 | 1544753 | Deflection roller for aluminium draw-wire sensors |
|-------|---------|---|



Accessories

| Dimension drawing | Type | ID | |
|-------------------|--------------------|---------|---|
| | RSSD-RSSD-4422-2M | 6635150 | Cable for Industrial Ethernet, M12 male connector, D-coded, straight to M12 male connector, D-coded, straight, cable length: 2 m, jacket material: PUR, green |
| | WSSD-WSSD-4422-2M | 6635188 | Cable for Industrial Ethernet, M12 male connector, D-coded, angled to M12 male connector, D-coded, angled, cable length: 2 m, jacket material: PUR, green |
| | RSSD-RJ45S-4422-2M | 6635170 | Cable for Industrial Ethernet, M12 male connector, D-coded, straight to RJ45 male connector, straight, cable length: 2 m, jacket material: PUR, green |
| | RSSD-RJ45S-4422-7M | 6635579 | Cable for Industrial Ethernet, M12 male connector, D-coded, straight to RJ45 male connector, straight, cable length: 2 m, jacket material: PUR, green |
| | RSSD-RJ45S-4422-8M | 6635538 | Cable for Industrial Ethernet, M12 male connector, D-coded, straight to RJ45 male connector, straight, cable length: 2 m, jacket material: PUR, green |

| Dimension drawing | Type | ID | |
|-------------------|---------------|---------|---|
| | RKC4.4T-2/TXL | 6625503 | Connection cable, M12 female connector, straight, 4-pin, cable length: 2 m, jacket material: PUR, black; cULus approval |
| | WKC4.4T-2/TXL | 6625515 | Connection cable, M12 female connector, angled, 4-pin, cable length: 2 m, jacket material: PUR, black; cULus approval |