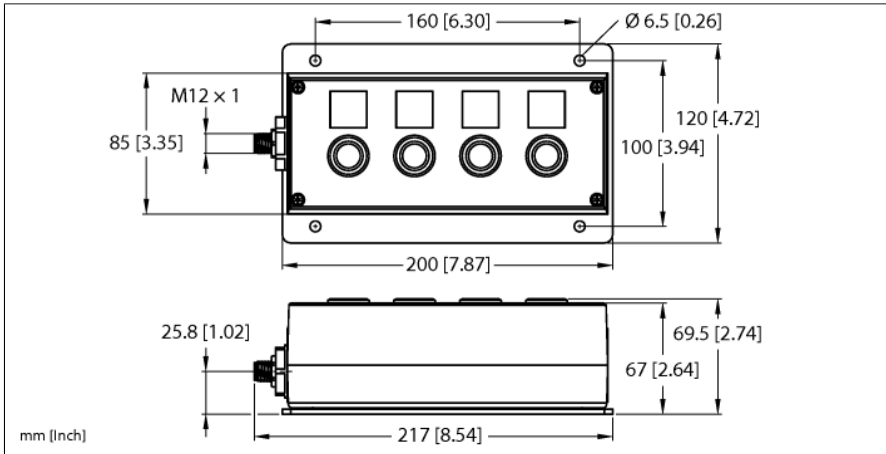


Ford Process Inspection Box for Connection to IO-Link Master

4 Buttons with Lamp

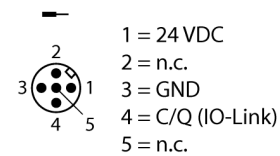
OPIL-E4-IO3-FE02



Type	OPIL-E4-IO3-FE02
ID	100036506
Supply	
Supply voltage	24 VDC
Admissible range	18...30 VDC
Voltage supply connection	M12
Operating current	Max. 150 mA
IO-Link	
Connectivity IO-Link	1 × M12
IO-Link specification	V 1.1
IO-Link port type	Class A
Frame type	Supports all
Transmission rate	COM 2 / 38.4 kbps
Standard/Directive conformity	
Electromagnetic compatibility	Acc. to EN 61131-2:2007
General Information	
Ambient temperature	-40...+70 °C
Storage temperature	-40...+85 °C
Protection class	IP54

- Rugged housing
- Label language: Spanish
- 4 × illuminated push button, white light-up ring

M12 × 1 IO-Link



I/O allocation to FIL20-8DXP

			Process data
PROZESS KONTROLLE CONTROL DE PROCESOS PROCESS INSPECTION		Output I/O ₇	Byte.bit offset 0.7
		Input I/O ₆	Byte.bit offset 0.6
PROZESS WIEDERHOLEN REPETIR PROCESO PROCESS REPEAT		Output I/O ₅	Byte.bit offset 0.5
		Input I/O ₄	Byte.bit offset 0.4
PROZESS OK PROCESO OK PROCESS OK		Output I/O ₃	Byte.bit offset 0.3
		Input I/O ₂	Byte.bit offset 0.2
PROZESS NOK PROCESO NOK PROCESS NOK		Output I/O ₁	Byte.bit offset 0.1
		Input I/O ₀	Byte.bit offset 0.0