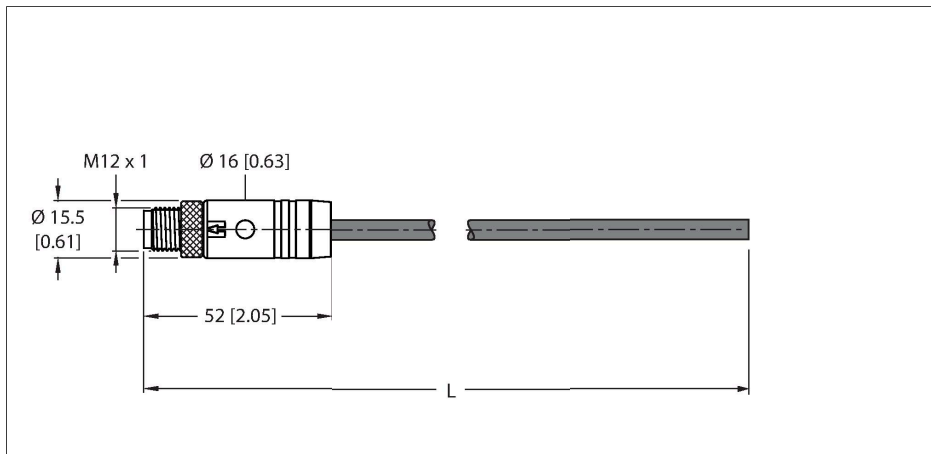


RSP56PKB-2/TXL

– Connection Cable



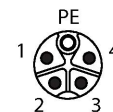
Technical data

Type	RSP56PKB-2/TXL
ID	100031025
Connector A	Male, M12 × 1, Straight, K-coded
Number of pins	4+PE
Contacts	Copper-nickel, CuNi, Gold-plated
Contact carriers	Plastic, PBT GF, Black
Connector body	Plastic, TPE, Black
Coupling nut/screw	Brass, CuZn, Nickel-plated
Tightening torque (range)	0.5 ... 0.6 Nm (observe max. torque of mating connector!)
Mechanical lifespan	> 100 Mating cycles
Pollution degree	3
Protection class	IP65, IP67, IP69K, Only in screwed condition
Cable length	2 m
Electrical properties at +20 °C	
Rated voltage	600 V
Mechanical and chemical properties	

Features

- M12 male connector, K-coded, straight, 5-pin (4+PE)
- Cable length: 2.0 m

Contact assignment



Circuit Diagram

