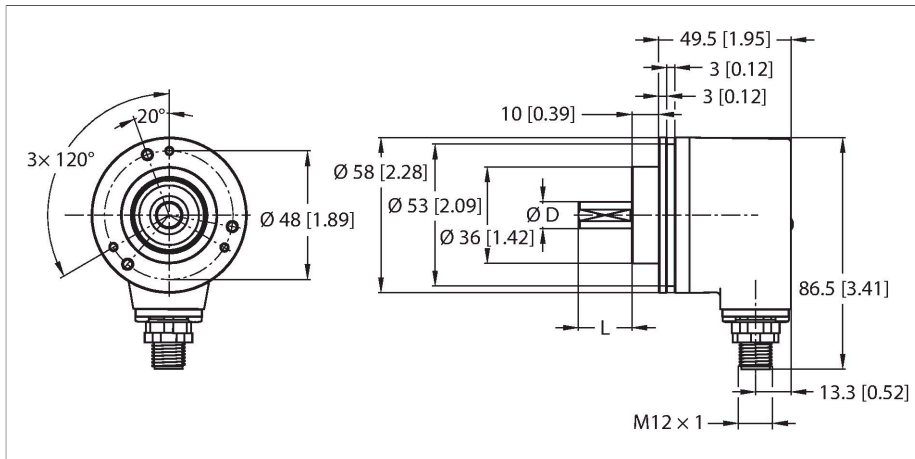


# REM-103S6C-5C13S12M-H1181

## Absolute Rotary Encoder - Multiturn

### Industrial Line



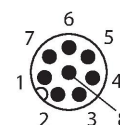
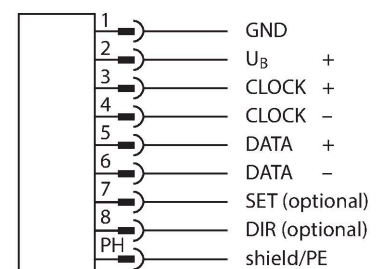
#### Technical data

Type	REM-103S6C-5C13S12M-H1181
ID	100011383
Measuring principle	Optical
<b>General data</b>	
Max. rotational speed	8000 rpm
Moment of inertia of the rotor	$3 \times 10^{-6} \text{ kgm}^2$
Starting torque	< 0.05 Nm
Absolute accuracy	$\pm 0.015^\circ$ At 25 °C
Output type	Absolute multiturn
Resolution singleturn	13 Bit
Resolution multiturn	12 Bit
<b>Electrical data</b>	
Operating voltage $U_B$	10...30 VDC
No-load current	$\leq 30 \text{ mA}$
Short-circuit protection	yes
Wire break/reverse polarity protection	yes
Communication protocol	SSI
Output function	Binary coded
<b>Mechanical data</b>	
Flange type	Clamping flange
Flange diameter	Ø 58 mm
Shaft Type	Solid shaft
Shaft diameter D (mm)	6
Shaft Length L [mm]	10
Shaft material	Stainless steel
Housing material	Die-cast zinc

#### Features

- Clamping flange, Ø 58 mm
- Solid shaft, Ø 6 mm × 10 mm
- Optical measuring principle
- Shaft material: stainless steel
- Protection class IP67 on housing and shaft side
- -40...+85 °C
- Max. 8000 rpm (continuous operation 5000 rpm)
- 10...30 VDC
- SSI, binary
- M12 × 1 male, 8-pin
- Singleturn, 13-bit resolution
- Multiturn, 12-bit resolution

#### Wiring diagram

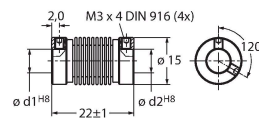
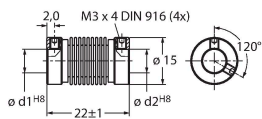


## Technical data

Electrical connection	Connector, M12 × 1
	8-polig
Axial shaft load	40 N
Radial shaft load	80 N
<b>Environmental conditions</b>	
Ambient temperature	-40...+85 °C
Vibration resistance (EN 60068-2-6)	100 m/s <sup>2</sup> , 10...2000 Hz
Shock resistance (EN 60068-2-27)	2500 m/s <sup>2</sup> , 6 ms
Protection class	IP67
Protection class shaft	IP67

## Accessories

RCS-15-08-06	1545361	RCS-15-06-06	1545362
Bellows coupling, outer diameter: 15 mm, bore diameter: 8 mm/6 mm		Bellows coupling, outer diameter: 15 mm, bore diameter: 6 mm/6 mm	



## Accessories

Dimension drawing	Type	ID	
	E-RKC 8T-264-2	U-04781	Connection cable, female M12, straight, 8-pin (twisted pairs), shielded, cable length: 2 m, sheath material: PVC, black; cULus approval; other cable lengths and qualities available, see <a href="http://www.turck.com">www.turck.com</a>

